

# FilterQuick OQS Electric Installation Instructions

826-3290, 826-3293

This kit puts an oil quality sensor in series with the flow of oil in the filter system. Follow the instructions below to install the sensor.

*The install sequence is different for two-battery units and three-five battery units. Instructions for each are provided. At the completion of the configuration-specific install, move to the software installation instructions, 819-7157, provided separately. You will return to page 5 of these instructions to configure the sensor.*

## Required Tools:

- 1 1/16 (27mm) Stubby Wrench
- 1 1/16 (27mm) Crows Foot Wrench

Part #	Kit 2-Batt 826-3290/3-5 Batt Kit 826-3293	QTY
*1086756	SENSOR, FQ ELECTRIC OQS	1
*1086764	PREFILTER, FQ OQS ELECTRIC	1
**2401126	BRACKET, WRENCH	1
*2401086	WRENCH, PRE-FILTER CAP	1
*8104167	LANYARD, COBRA IN-LINE FILTER	1
*8197226	INSTRUCTIONS, FQ ELECT INSTALL	1
*8197157	SOFTWARE LOADING INSTRUCTIONS	1
*8197206	CONTROLLER MANUAL	1
*8197316	OQS OIL CURVE TABLE	1
*8074824	CARD, MEMORY	1
*8074158	WRAP, HIGH TEMPERATURE TYE	6
*8070263	TERMINAL #61765-2	1

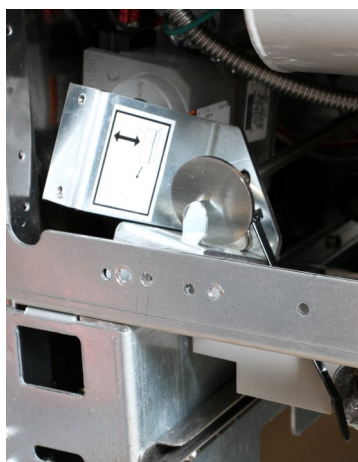
\*Both kits/\*\* 2-batt only

## Two-Battery Install

1. Remove power from unit.
2. Remove all doors.
3. Loosen disposal valve handle and bracket (if present) and push to the side of the cabinet. **See Figure 2.**
4. Remove filter pan and lid.
5. Remove flex line between pick up and pump.
6. Shape the flex line on the provided pre-filter (**as shown in figure 3**) and position the pre-filter above the filter pickup.
7. Secure the pre-filter assembly to the cross member in the cabinet as shown in **figure 4.**
8. Position the sensor-assembly supporting L-bracket on the right side channel. **See Figure 5.**
9. Position sensor assembly and mark channel for drilling for a support screw near the front of the cabinet. **See Figure 6.**
10. Drill hole in channel.
11. Position sensor assembly. **See Figure 6**
12. Route flexlines from the sensor assembly. The inlet line goes to the pre-filter outlet. The outlet line goes to the filter pump. **See figure 7.**
13. Mount the filter wrench holder and wrench. The position is relative to the cabinet configuration. **See figures 8.**
14. Replace filter pan and drain valve control. Move to steps for routing sensor wire harness on page 4.



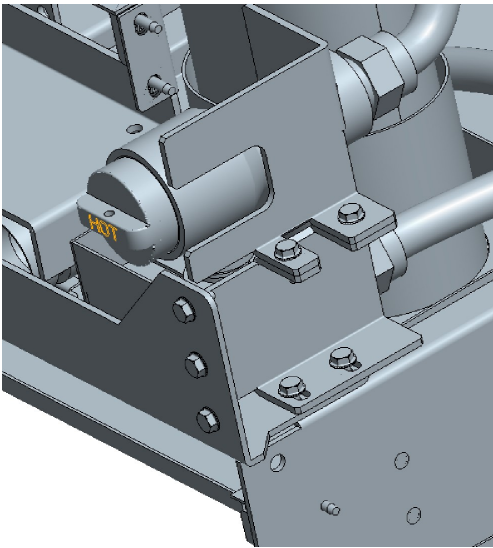
**Figure 1:** The fryer prior to the install is show above. The sensor mounts on the channel behind the center upright. The pre-filter mounts above the filter pan pickup .



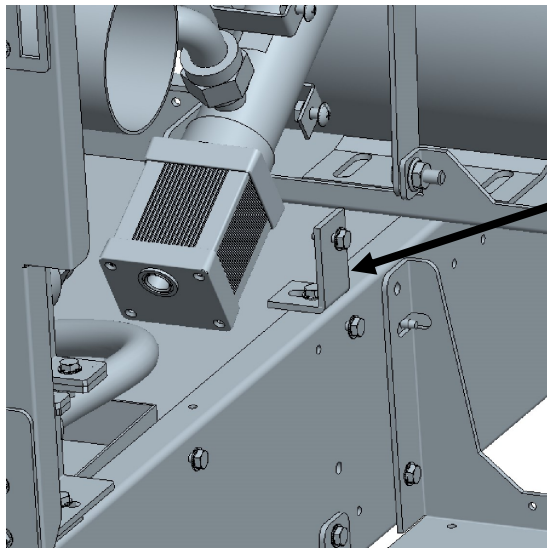
**Figure 2:** Loosen the disposal handle assembly and move to the side of the cabinet.



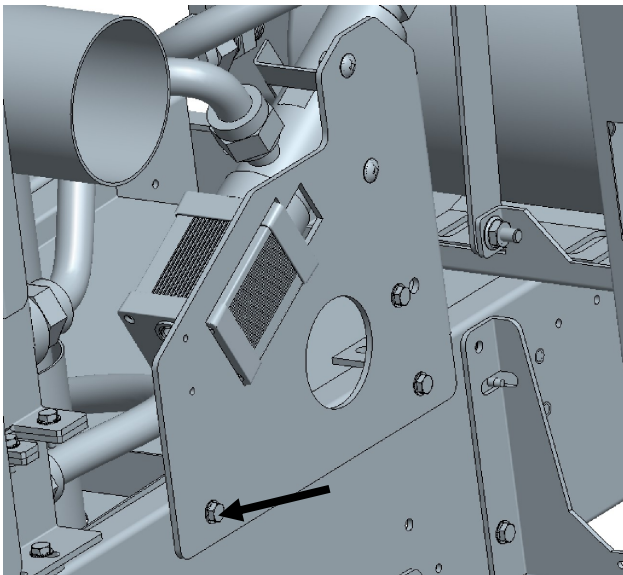
**Figure 3 :** Shape the flexline attached to the pre-filter to route to the filter pan pickup.



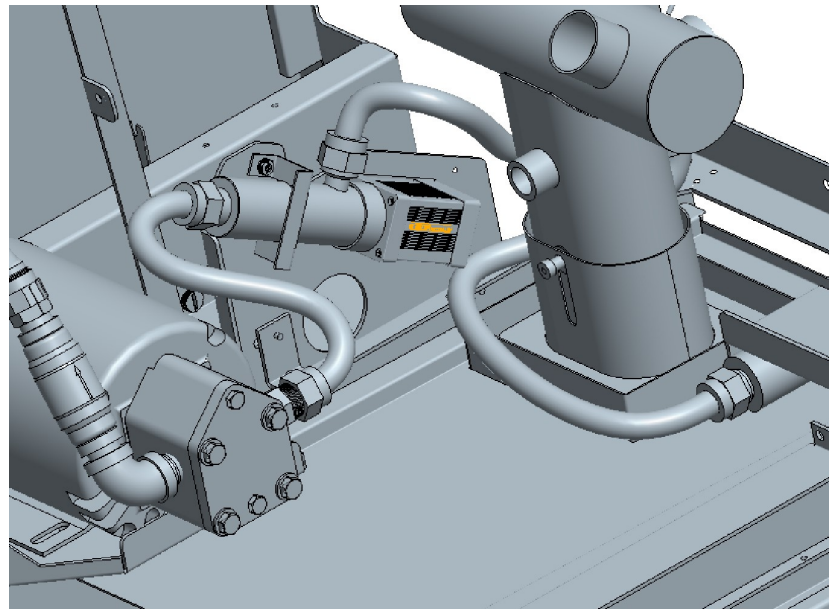
**Figure 4:** The pre-filter is shown attached with two screws to the cabinet cross member.



**Figure 5:** Position the L-shaped bracket using the existing hole to the top of the channel as shown. See arrow.



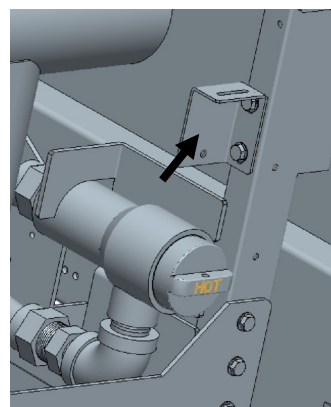
**Figure 6:** Position the sensor assembly, using the L-shaped bracket, an existing hole in the rail and a drilled hole at the position near the front. See arrow.



**Figure 7:** Route all flexlines as shown. Do not use sealant on the connections.

### Three-five Battery Install

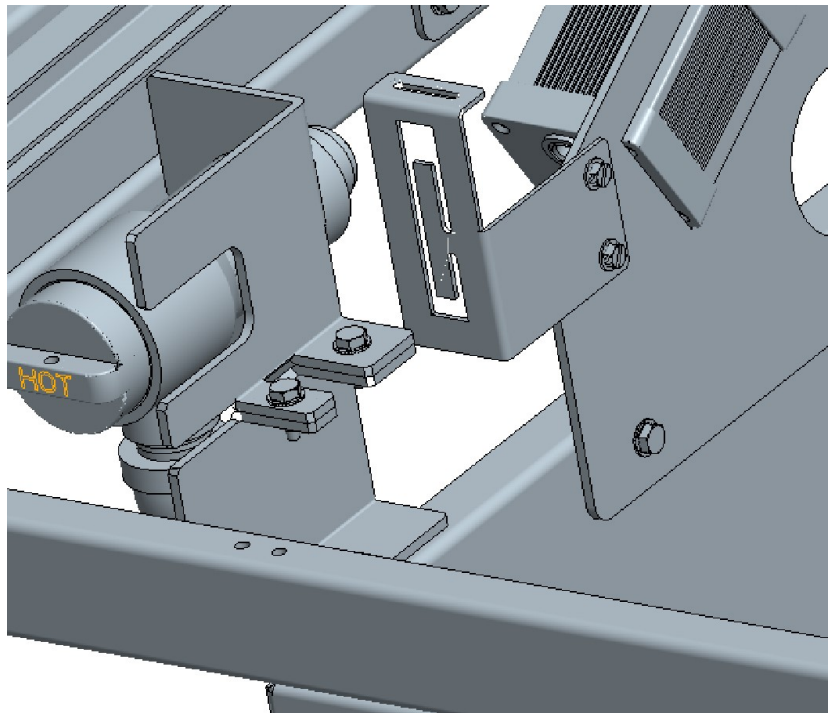
1. Remove power from unit.
2. Remove all doors.
3. Loosen disposal valve handle and bracket and push to the side of the cabinet. **See Figure 2.**
4. Remove filter pan and lid.
5. Remove flex line between the filter pan



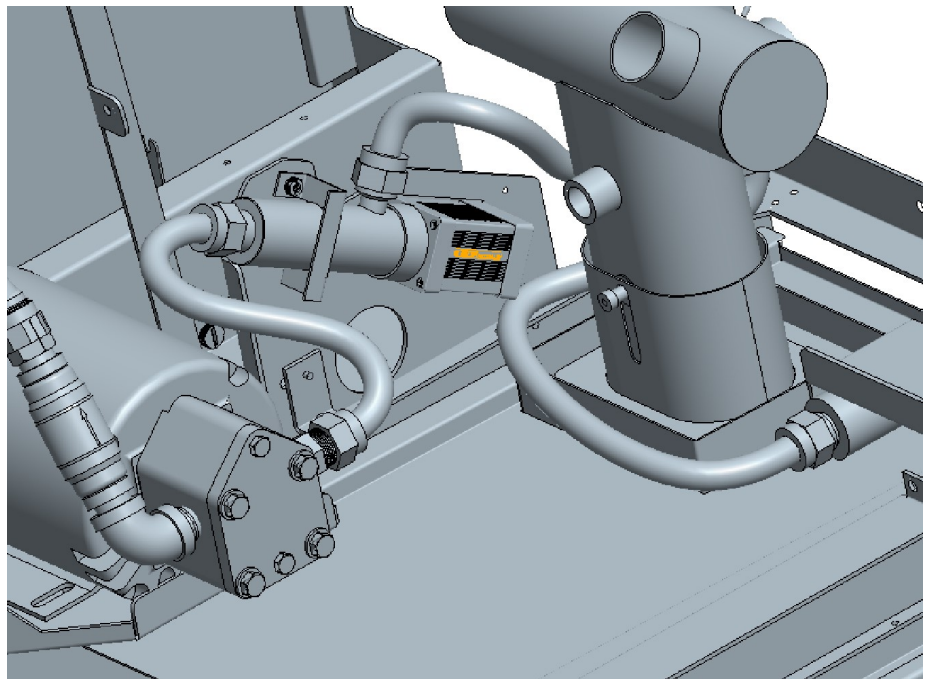
**Figures 8:** On the two-battery fryer position the wrench holder, as shown, above the pre-filter.

pick up and pump.

6. Position the sensor-assembly supporting L-bracket on the right side channel. **See Figure 5.**
7. Position sensor assembly and mark channel for drilling support hole. **See Figure 6.**
8. Drill hole in channel.
9. Secure sensor assembly.
10. Route flexline from sensor outlet to pump.
11. Position prefilter in cabinet (as shown). **see figure 9.**
12. Route flexline from filter pan pickup to pre-filter. It may be necessary to route it through the bushing equipped-hole in the sensor mounting plate. **See figure 10.**
13. Mount the filter wrench holder and wrench. The position is relative to the cabinet configuration. **See figure 9.**
14. Replace filter pan and drain valve control. Move to steps for routing sensor wire harness on page 4.



**Figure 9:** Position the pre-filter (as shown above). The pre-filter wrench holder mounts on the sensor bracket as shown.

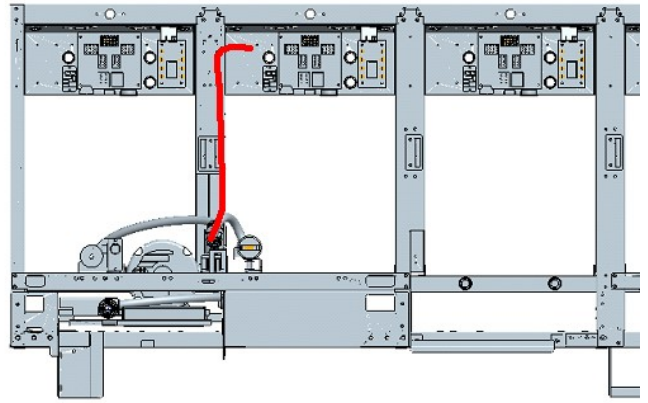
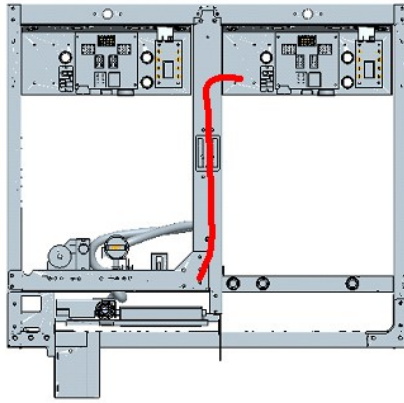


**Figure 10:** Route the flexlines as shown above. On some configurations, the flexline from the filter pan pickup to the pre-filter is routed through the grommet-equipped hole in the sensor bracket. The flexline from the pre-filter attaches to the lower body of the sensor and the flexline from the top of the sensor goes to the pump.

## Routing Wiring

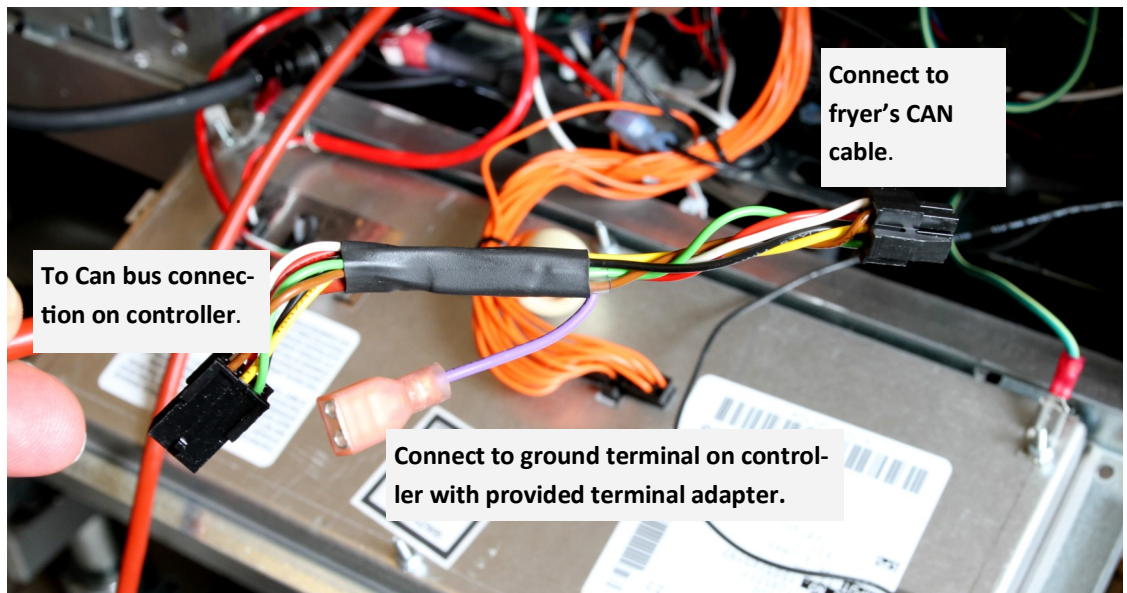
### Harness

1. Remove control bezel by removing screws on the underside of the bezel.
2. Remove screws in the top corners, securing the second controller from the left and lower it.



**Figure 11:** Route the wiring from the sensor to the right controller in a two-bank and to the controller second from the left on a three bank or more. Use existing and provided wire looms to secure the wiring.

3. Route wiring harness from sensor along base channel, securing it with wire ties. Route the harness up the vertical cabinet channel. **See figure 11.**
4. Remove the orange communication (CAN) cable from the controller. Insert the male plug of the sensor harness. Insert the removed male plug in the female terminal on the sensor harness and attach the ground with provided spade adapter. **See figure 12.**



**Figure 12** Connect the wiring from the sensor in series with the CAN bus as shown: The male plug to the controller outlet previously occupied by the CAN bus connection; the spade terminal to the ground terminal on the controller; the CAN bus cable to the female plug on the sensor's harness.

5. Lower the leftmost controller and follow instructions for software update on the following page.

## Software Update

Follow included instructions 819-7157 to update the software.

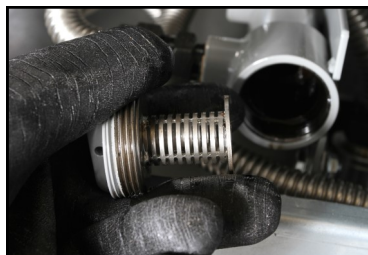
## OQS Filter Setup

With the controller OFF, follow the steps below. **\*NOTE: This should only be done on the far left (Master) controller.**

Left Display	Right Display	Action
OFF	OFF	Press ✓ until the controller scrolls INFO MODE, changing to MAIN and then PRODUCT SETUP.
PRODUCT SETUP		Press ► to scroll to Vat setup and press ✓.
VAT SETUP	ENTER CODE	Enter 1656.
SYSTEM		Press ► to scroll to FILTER.
FILTER		Press ✓.
COOKS TILL FILTER	0	Press ◀ two times to scroll to OQS and press ✓.
OQS	DISABLED	Press ▼ to scroll to ENABLED and press ►. (Default is DISABLED.)
OQS TYPE	OC01	Press ▼▲ to scroll through oil types OC01, OC02, etc. Use the table on 8197316 to determine oil type. Ensure the oil type matches what store is using. When complete press ►.
DISPLAY TYPE	NUMBER	Press ▼▲ to scroll to choice NUMBER or TEXT and press ►. (Default is NUMBER.) NOTE: If set to NUMBER the Total Polar Materials is shown as a number. If set to Text, only DISPOSE SOON/CONFIRM, OIL IS GOOD or DISPOSE NOW is shown.
DISCARD NOW	24	Use numbered keys to change the default setting of the TPM DISCARD NOW value and press ►. (Default is 24. Minimum value is 15, maximum is 30.)
DISCARD SOON	4	Use numbered keys to change the default setting of the TPM DISCARD SOON value and press ►. This establishes how many points in advance of the Discard Number, Discard Soon is displayed. Set to 4, the Discard Soon display is shown at 20. (Default is 4. Minimum value is 4, maximum value is 15.)
DISPOSE DELAY TIMER	30	Use numbered keys to change default setting for the DISPOSE NOW delay timer and press ►. This is the amount of time after the DISCARD NOW prompt is bypassed before the message returns. (Default is: 30 minutes. Minimum value is :00 = OFF, maximum value is 4:00 hours.)
EXIT	EXIT	Press the Exit/Scan button twice to return the controller to OFF.

The pre-filter installed with the kit requires regular maintenance. Every 30 days, or more frequently if the flow of oil slows, remove the cap and clean the attached screen.

1. Wearing protective gloves, remove the cap from the pre-filter using the supplied wrench.
2. Use a small brush to clear debris from the attached screen.
3. Clean under a water tap and thoroughly dry.
4. Return the cap to the pre-filter housing and tighten.



### WARNING

**DO NOT** remove the pre-filter cap when a filter cycle is under way. **DO NOT** operate the filter system with the cap removed. Wear protective gloves when handling the cap. The metal and the oil exposed are hot.